

Deck Plate Boat Marine Polished Deck



316 Stainless Steel

POWER MARINE is China manufacturer & supplier who mainly produces Deck Plate Boat Marine Polished Deck 316 Stainless Steel with many years of experience. Hope to build business

relationship with you. We follow the quality of rest assured that the price of conscience, dedicated service. We have been specialized in marine hardware for more than 25 years. Our product is made of 316 stainless steel, which has good corrosion resistance. We can provide high quality products and competitive prices, and we look forward to becoming your long-term partner in China. Welcome to contact us.

Deck Plate Boat Marine Polished Deck 316 Stainless Steel

Product Introduction

As the professional manufacturer, POWER MARINE would like to provide you high quality Deck Plate Boat Marine Polished Deck 316 Stainless Steel. And we will offer you the best after-sale service and timely delivery. We follow the quality of rest assured that the price of conscience, dedicated service. Deck Plate Boat Marine Polished Deck 316 Stainless Steel has a longer service life in seawater, ultraviolet light and humid environments. We can provide high quality products and competitive prices, and we look forward to becoming your long-term partner in China. Welcome to contact us.

Product Parameter (Specification)

Product name	Deck Plate Boat Marine Polished Deck 316 Stainless Steel
Specification available	Multiple sizes

Shandong Power Industry and Trade Co., Ltd.

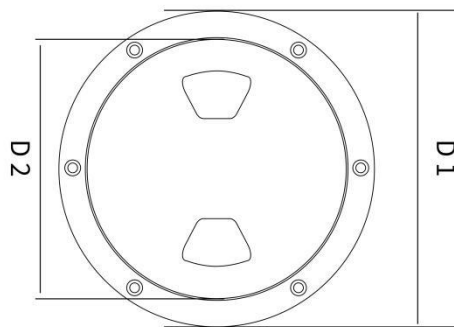
Address: Chengyang District, Qingdao, Shandong Province, China

Tel: [+86-15865772126](tel:+86-15865772126)

[+86-0532-83875707](tel:+86-0532-83875707)

E-mail: andy@hardwaremarine.com

Standards that follow to	ISO 9001, CE, TUV, CSS, SGS.
Samples available	Yes.
Packing method	Bubble bag+Wooden carton
Production lead time	10-15 days for a 20ft container, 20-25 days for a 40ft container.
Warranty time	Support returns and exchanges
Payment term	T/T
FOB loading port	Qingdao China



Code	D1 mm	D2 mm	Size
PM3103A	123	81.8	3 inch
PM3104A	147	106	4 inch
PM3105A	173	133	5 inch
PM3106A	196.5	161.8	6 inch

Product Feature And Application

Shandong Power Industry and Trade Co., Ltd.

Address: Chengyang District, Qingdao, Shandong Province, China

Tel: +86-15865772126

+86-0532-83875707

E-mail: andy@hardwaremarine.com

The history of Deck Plate Boat Marine Polished Deck 316 Stainless Steel panels for marine and marine applications can be traced back to the development of stainless steel as a material. Stainless steel was first discovered by Harry Brearley in 1913, as a result of his accidental discovery during his research to improve gun barrels. He noted that steel alloys with high chromium content exhibit excellent resistance to rust and staining. This led to the development of stainless steel, which quickly gained popularity due to its various beneficial properties. In the marine industry, stainless steel is considered a reliable material due to its corrosion-resistant properties. It is widely used in various ship components and structures, including decks. The polished surface on a stainless steel deck offers additional benefits, such as improved aesthetics and ease of cleaning. Over time, advances in manufacturing techniques and techniques have enabled the production of polished stainless steel deck panels in a variety of sizes, designs, and finishes. Manufacturers are beginning to add non-slip patterns or textures to the surface of deck boards to increase safety. The use of Deck Plate Boat Marine Polished Deck 316 Stainless Steel continues to gain popularity in the marine industry due to their durability, longevity and resistance to harsh marine environments. The polished stainless steel surface not only provides an attractive appearance but also enhances the overall functionality of the deck boards. As the industry evolves, manufacturers continue to innovate and improve the design and functionality of stainless steel decks to meet the specific needs and preferences of boat owners. This history of improvement and development has resulted in high-quality Deck Plate Boat Marine Polished Deck 316 Stainless Steel that are widely used and trusted in today's marine industry.

Product Details

Deck plates for marine and marine applications, especially those made of polished stainless steel, offer a variety of functions and benefits. Here are some of the key features of Deck Plate Boat Marine Polished Deck 316 Stainless Steel:

Durability: Polished stainless steel is known for its high strength and resistance to corrosion, making it ideal for marine environments. Stainless steel decking can withstand the elements, including salt water, and won't rust or deteriorate over time.

Aesthetics: Polished Deck Plate Boat Marine Polished Deck 316 Stainless Steel have a smooth, stylish appearance that enhances the overall

Shandong Power Industry and Trade Co., Ltd.

Address: Chengyang District, Qingdao, Shandong Province, China

Tel: [+86-15865772126](tel:+86-15865772126)

[+86-0532-83875707](tel:+86-0532-83875707)

E-mail: andy@hardwaremarine.com

appearance of your vessel. The lustrous finish of stainless steel adds a touch of elegance and can complement a variety of boat designs and aesthetics.

Non-slip surface: Many stainless steel deck boards come with a non-slip or textured surface that ensures safety even in wet conditions. This feature is essential for maintaining grip and preventing accidents on deck.

EASY ACCESS: Deck panels provide access to below-deck compartments, storage spaces or bilge areas. Stainless steel decks often feature a threaded or twist-lock design that allows for easy opening and closing while ensuring a secure seal when locked.

Versatility: Deck Plate Boat Marine Polished Deck 316 Stainless Steel is suitable for many boat types, including jet skis, sailboats and yachts. They can be installed in various areas of the boat such as the deck, cockpit or cabin to provide easy access to important components or storage areas.

Long Life: Stainless steel is a durable material that requires minimal maintenance. With proper care, polished stainless steel decking can maintain its appearance and functionality for years, making it a cost-effective investment.

Weather Resistance: Stainless steel decking is designed to withstand harsh weather conditions, including exposure to UV rays, rain, and salt water. They won't fade, chip or crack due to weather elements.

Easy to install: Deck Plate Boat Marine Polished Deck 316 Stainless Steel often comes with pre-drilled holes and mounting hardware, making installation simple. They can be easily mounted to the deck or other desired area using screws or bolts.

Overall, Deck Plate Boat Marine Polished Deck 316 Stainless Steel offer a combination of durability, aesthetics, ease of operation, and weather resistance. These features make them a popular choice for boat owners looking for deck accessories that are both functional and visually appealing.

Loading & Shipment

Shandong Power Industry and Trade Co., Ltd.

Address: Chengyang District, Qingdao, Shandong Province, China

Tel: [+86-15865772126](tel:+86-15865772126)

[+86-0532-83875707](tel:+86-0532-83875707)

E-mail: andy@hardwaremarine.com

Thanks to superior quality, we have been establishing a close & long business partner relationship with the customers from more than 30 countries, and we've gotten so many positive feedback regarding the quality.



Contact us

Contact us freely for any inquiries on our products by following:

Email: andy@hardwaremarine.com

Mob: +86-15865772126

24 hours on line contact:

WhatsApp / wechat: +86-15865772126

Shandong Power Industry and Trade Co., Ltd.

Address: Chengyang District, Qingdao, Shandong Province, China

Tel: [+86-15865772126](tel:+86-15865772126)

[+86-0532-83875707](tel:+86-0532-83875707)

E-mail: andy@hardwaremarine.com

If you have any questions can contact us

Shandong Power Industry and Trade Co., Ltd.

Address: Chengyang District, Qingdao, Shandong Province, China

Tel: [+86-15865772126](tel:+86-15865772126)

[+86-0532-83875707](tel:+86-0532-83875707)

E-mail: andy@hardwaremarine.com